

## Multi - Service WDM Transmission Equipment

### eWAVE4107DiR Series

eWAVE4107DiR

eWAVE4107DiR - DC48V



19 -inch , 1U rack size

★ EDFA Card Function

★ Stacking Application

★ CWDM or DWDM Mux / Demux box

Transponder card Slot × 4

EDFA Slot × 2

WDM Card Slot × 1

10 - T management × 1 Port

### eWAVE4107 Daughter Card

1G Multi - Service Transponder eW40102 - Cxxxx/yyyy

2G Muxponder eW40102DW - Cxxxx

10G Multi - Service Transponder eW41001DW2A-Cxxxx

2.5G Multi - Service Transponder eW42502 - Cxxxx/yyyy

8ch / 2 Core CWDM Mux / Demux Card oW4208C

4ch / 1Core CWDM / Demux oW4208CB-A

4ch / 1Cord / 2Fiber CWDM Mux / Demux Card oW4208CB

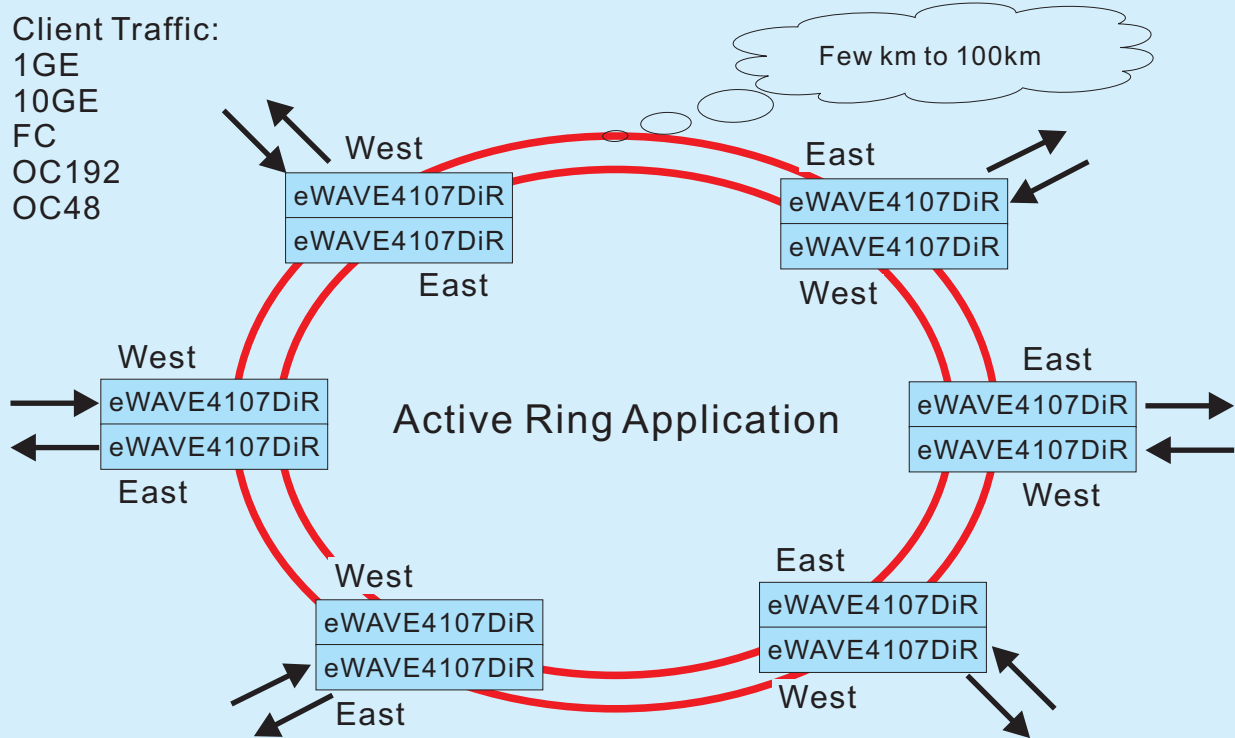
oW4312(EDFA-P) / oW4312B(EDFA- B) / oW4317L(EDFA-L)

## Features

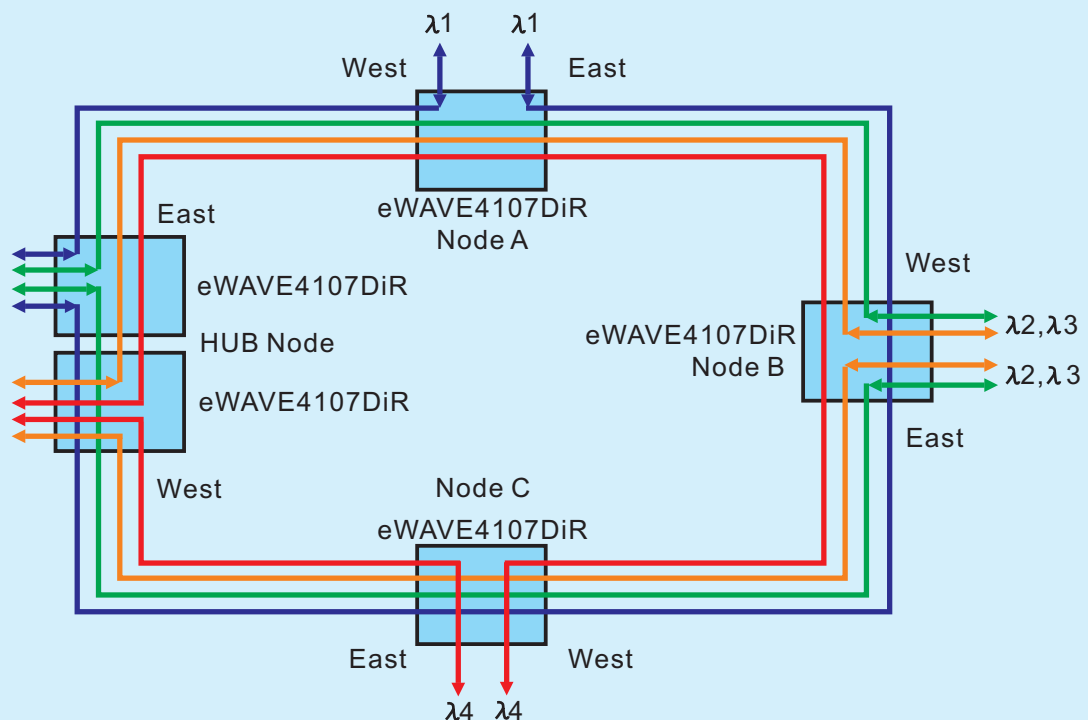
<b>Transmission mode</b>	Ethernet over WDM, OTN	<b>Frame length</b>	64 ~ 9216bytes
<b>Max channels</b>	8ch / per chassis	<b>Features</b>	GFEC or EFEC/GFP
<b>Max Transmission Capacity</b>	40Gbps / per chassis		Performance monitor(OTN/PCS/MAC/and GFP) inband management(OSC)/FSR(signal status relay) Protection / Stackable
<b>LINE port</b>	Wavelength: depends on application	<b>Rack Mount</b>	Standard rack mount(19 inch rack)
	Link budget:26dB(typical)	<b>Power Redundancy</b>	2 powers(fixed) AC100-240VAC/DC-55 ~ -40VDC
	Fiber: SMF	<b>Power Consumption</b>	<140W
	Rate: depends on application	<b>Weight</b>	<10kg(max configuration)
	125M (FE) 1.25G (GE) 2.488G(OC48 / STM16) 2.667G(OTU-1) 10.709G(OTU-2) 11.049G(OTU-1e)		
<b>USER port</b>	10G card: XFP(sell seperately) 1G, 2G card: SFP(sell seperately)	<b>Basic Configuration</b>	Transponders card[1-4] EDFA card[1-2] MUX/DEMUX card[1]
	Rate: 125M ~ 2.488G(FE, GbE, OC48/STM16) 10.3125G(10GbE - LAN) 9.953G(OC192/STM64)		

## eWAVE4107DiR Active Ring Application

Client Traffic:  
 1GE  
 10GE  
 FC  
 OC192  
 OC48

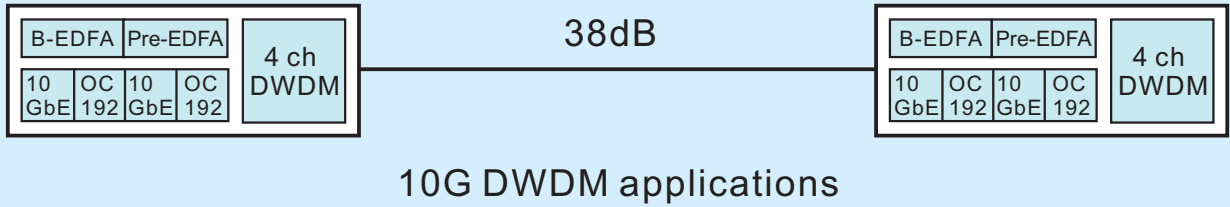


## eWAVE4107DiR Passive Ring Application

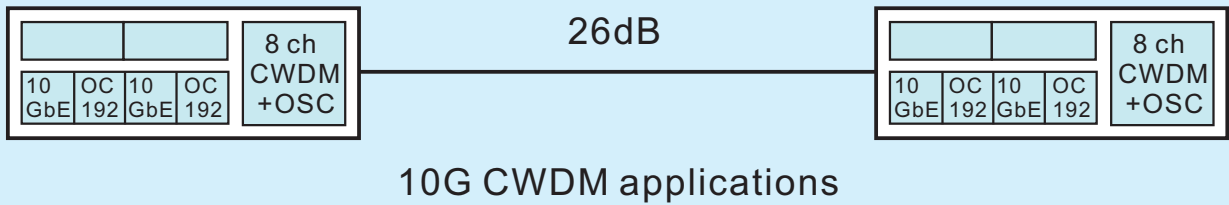


\* For CWDM application, total length should not beyond 100km

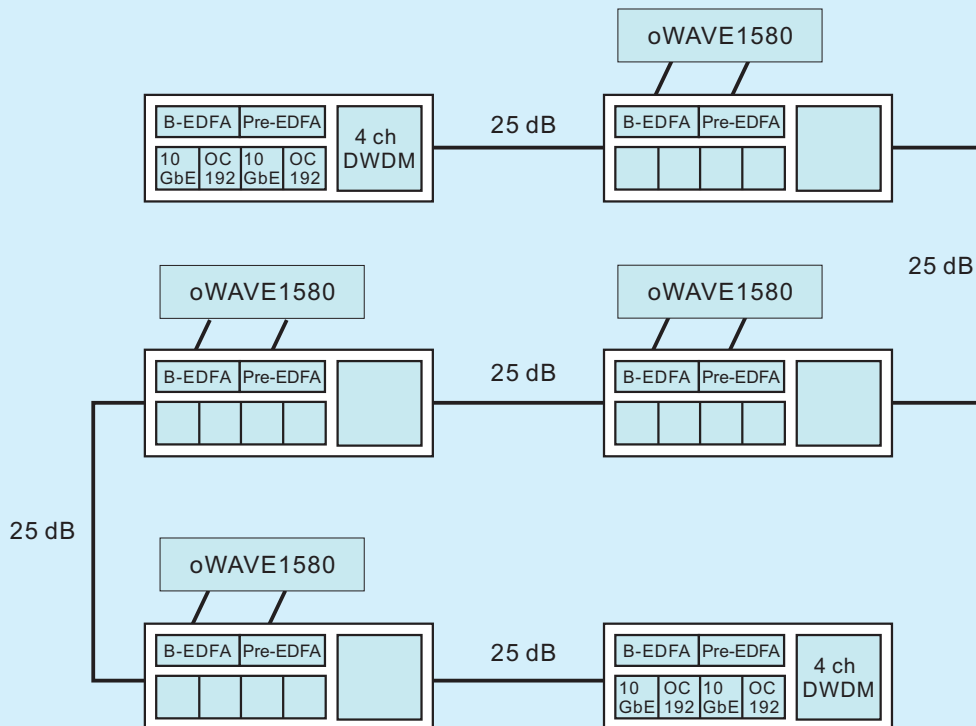
### 10G DWDM applications with big span loss



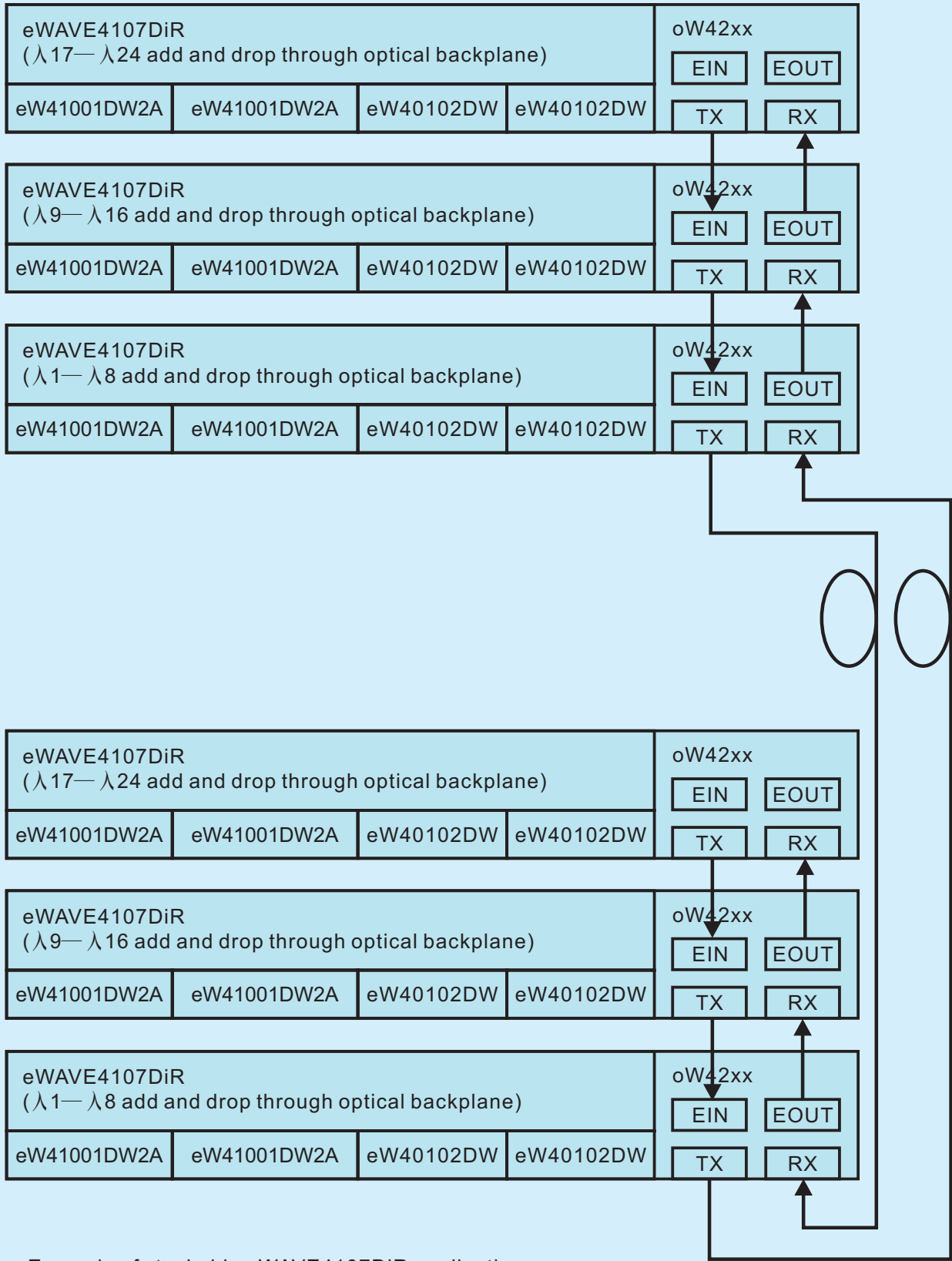
### CWDM transmission case with 26dB budget



### Multi-span 400 km DWDM transmission using mini chassis



# eWAVE4107DiR stackable



Example of stackable eWAVE4107DiR application